

ADO FACE HEIGHT

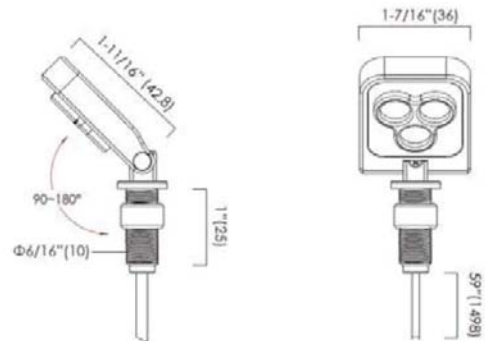
Specification

Chip	Nichia
Bin/Step	3-Step Macadam Ellipse.
Weight	- kg
Finishing	Black Anodized
IP Rating	IP20
Power	4W
Operating Temp	Ta=-25°C TO 35°C (Tc max=60°C)
Cover/Lens	Lens
Mounting	Mounting Ring
Power Feed	Hardwire Tail or Male / Female Connectors
Control	0-10V / 1-10V / DALI
Certification	CE
Lifetime	50,000Hours @ 25 °C

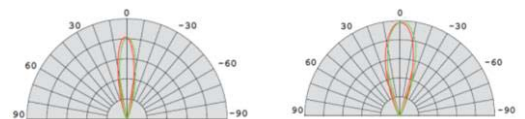
Beam Angle	15°, 30°, 60°
Color Temperature	3000K - 4000K
Color Rendering	≥ 90
Rated Lumen Output	340 lm

Driver Specifications

Supply Voltage	9V
Supply Current	350 mA



Photometric Data

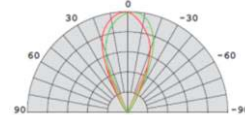


— C0/180,21.8°
— C90/270,22.0°

Beam Angle 24°

— C0/180,32.5°
— C90/270,32.3°

Beam Angle 36°



— C0/180,48.4°
— C90/270,48.6°

Beam Angle 45°