

ADO MINI SNOOT

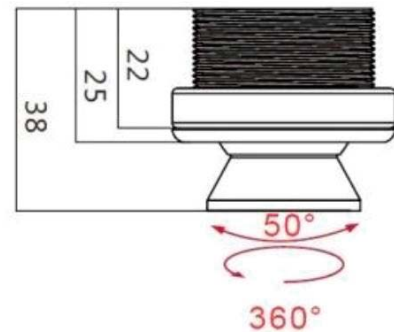
Specification

Chip	Nichia
Bin/Step	3-Step Macadam Ellipse.
Weight	- kg
Finishing	Black / Custom finish
IP Rating	IP20
Power	1.5W
Operating Temp	Ta=-20°C TO 30°C (Tc max=60°C)
Cover/Lens	Lens
Mounting	Mounting Ring
Power Feed	Hardwire Tail or Male / Female Connectors
Control	0-10V / 1-10V / DALI
Certification	CE / UL
Lifetime	50,000Hours @ 25 °C

Beam Angle	Adjustable From 10° - 60° Elliptical
Color Temperature	3000K - 4000K
Color Rendering	≥ 90
Rated Lumen Output	115 lm

Driver Specifications

Supply Voltage	3vf
Supply Current	700mA



Photometric Data

