

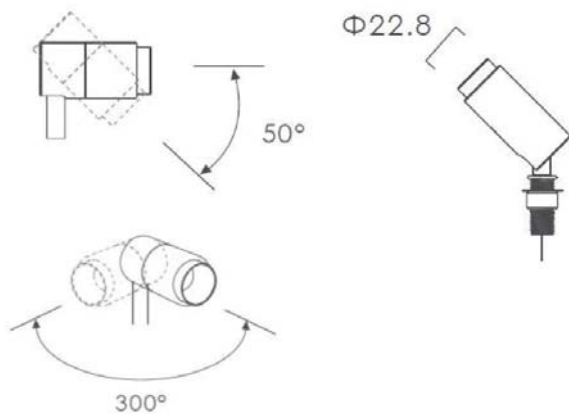
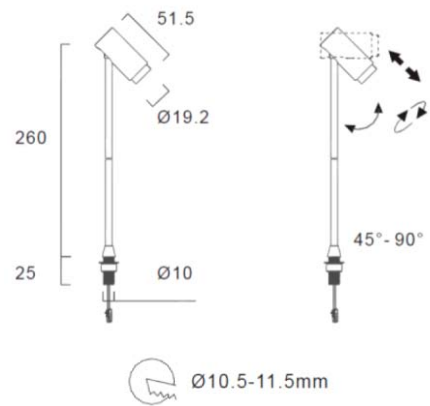
ADO POLE HEIGHT

Specification

Chip	Nichia
Bin/Step	3-Step Macadam Ellipse.
Weight	- kg
Finishing	Black / Custom finish
IP Rating	IP20
Power	2.1W
Operating Temp	Ta=-25°C TO 35°C (Tc max=60°C)
Cover/Lens	Lens
Mounting	Mounting Ring
Power Feed	Hardwire Tail or Male / Female Connectors
Control	0-10V / 1-10V / DALI
Certification	CE
Lifetime	50,000Hours @ 25 °C
Beam Angle	Adjustable From 10° - 40° Elliptical
Color Temperature	3000K - 4000K
Color Rendering	≥ 90
Rated Lumen Output	140 lm

Driver Specifications

Supply Voltage	3vf
Supply Current	700mA



Photometric Data

