

**ADO ZOOM**

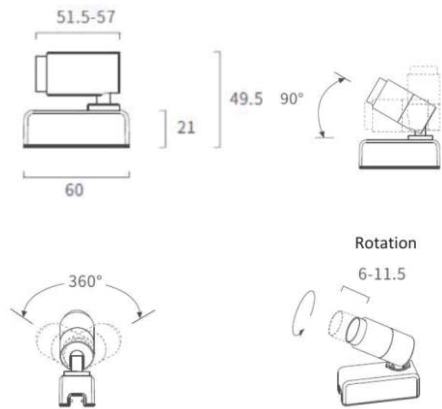
**Specification**

<b>Chip</b>	Nichia
<b>Bin/Step</b>	3-Step Macadam Ellipse.
<b>Weight</b>	- kg
<b>Finishing</b>	Black / Custom Finish
<b>IP Rating</b>	IP20
<b>Power</b>	2.1W
<b>Operating Temp</b>	Ta=-25°C TO 50°C (Tc max=60°C)
<b>Cover/Lens</b>	Lens
<b>Mounting</b>	Machanical
<b>Power Feed</b>	Hardwire Tail or Male/Female Connectors
<b>Control</b>	0-10V / 1-10V / DALI
<b>Certification</b>	CE
<b>Lifetime</b>	50,000Hours @ 25°C

<b>Beam Angle</b>	Adjustable From 10° - 40° Elliptical
<b>Color Temperature</b>	3000K - 4000K
<b>Color Rendering</b>	≥ 90
<b>Rated Lumen Output</b>	110lm

**Performance Data**

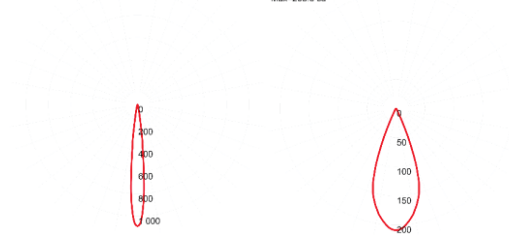
<b>Supply Voltage</b>	24V
<b>Supply Current</b>	0.088A



**Photometric Data**

Lamp=55.8 lm  
Max=1 088.8 cd

Lamp=77.8 lm  
Max=208.8 cd



**Accessories**

- TRACK 001 SOCKET DC + PLUG
- TRACK 002 SOCKET DC (TERMINAL)
- TRANSLUCENT TRACK L = 600 / 900 / 1200 mm.
- RAIL L = 600 / 900 / 1200 mm.
- SOCKET PLUG L = 200 mm.

