

ELLA-DS115-G-20W

Specification

Type	Downlight
Cutout	Ø115mm.
Glare Cut Off Angle	40°
Weight	0.55 kg
Frame	Die-cast aluminum (matt white)
Cone	Aluminum (mirror finish)
Driver	Remote
IP Rating	IP20
Power	20W

Beam Angle	15°, 24°, 36°, 60°
Color Temperature	2700K, 3000K, 4000K
Color Rendering	≥ 90
Rated Lumen Output	1600lm

Light Body Color



Reflective Cup Color

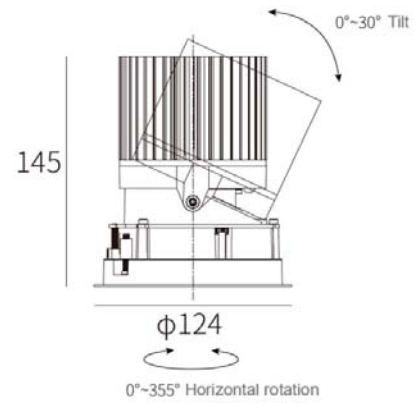


Driver Specifications

Model Number	Driver LC 36W 700-850mA flexC SR SNC4
Dimming	Non-Dimmable
Operating Voltage	AC200-240V
Power Consumption(with Driver)	36W
Dimension	L:147 W:43 H:30
Weight	0.097 kg.



Cone color



Photometric Data

