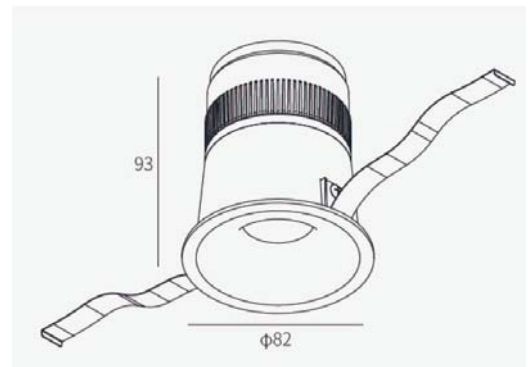


ELLA-SH75H-G-10W

Specification

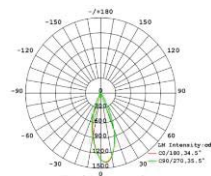
| | |
|---------------------|--------------------------------|
| Type | Downlight |
| Cutout | Ø75mm. |
| Glare Cut Off Angle | 40° |
| Weight | 0.35 kg |
| Frame | Die-cast aluminum (matt white) |
| Cone | Aluminum (mirror finish) |
| Driver | Remote |
| IP Rating | IP20 , IP40 |
| Power | 10W |
| Beam Angle | 15° , 24° , 36° , 60° |
| Color Temperature | 3000K , 3500K , 4000K |
| Color Rendering | ≥ 90 |
| Rated Lumen Output | 600lm |



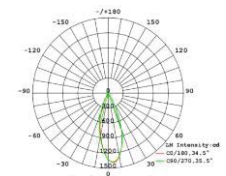
Driver Specifications

| | |
|--------------------------------|-----------------|
| Model Number | - |
| Dimming | Non-Dimmable |
| Operating Voltage | AC200-240V |
| Power Consumption(with Driver) | 10W |
| Dimension | L:100 W:36 H:27 |
| Weight | 0.2 kg. |

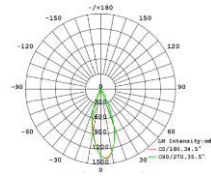
Photometric Data



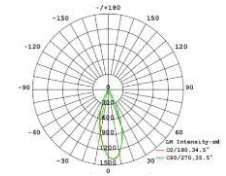
Beam Angle 17°



Beam Angle 25°



Beam Angle 36°



Beam Angle 60°

Cone color

